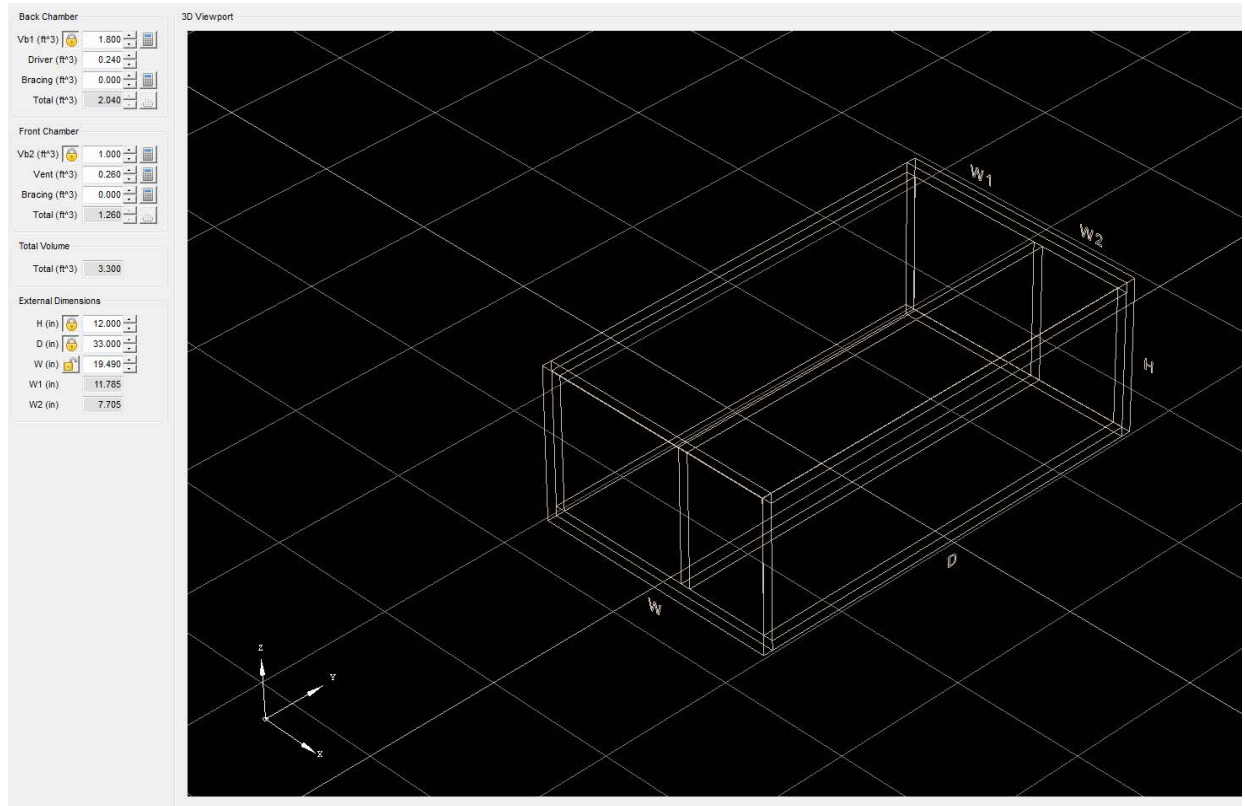
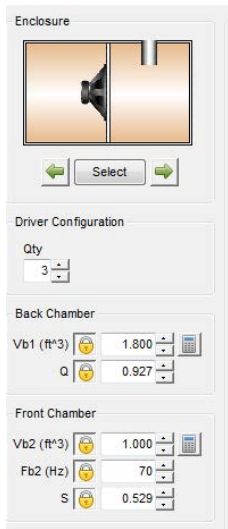
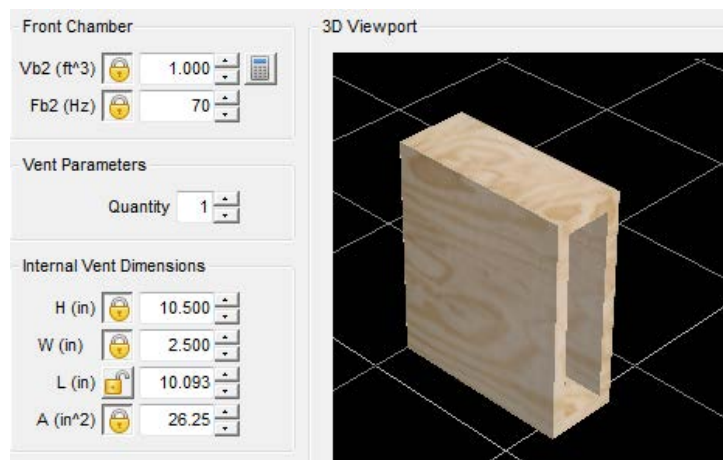


This enclosure is meant for a TRIPLE (3) RAP 10" 4th Order Band-Pass

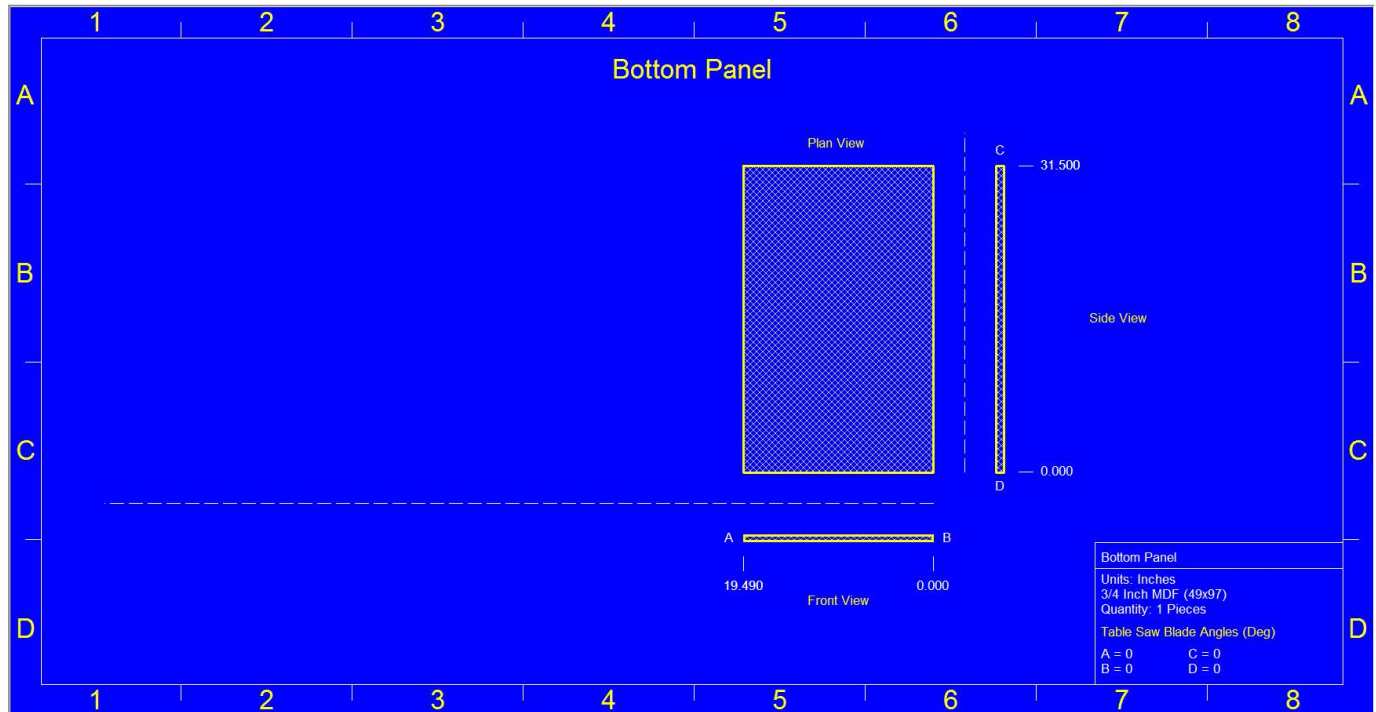
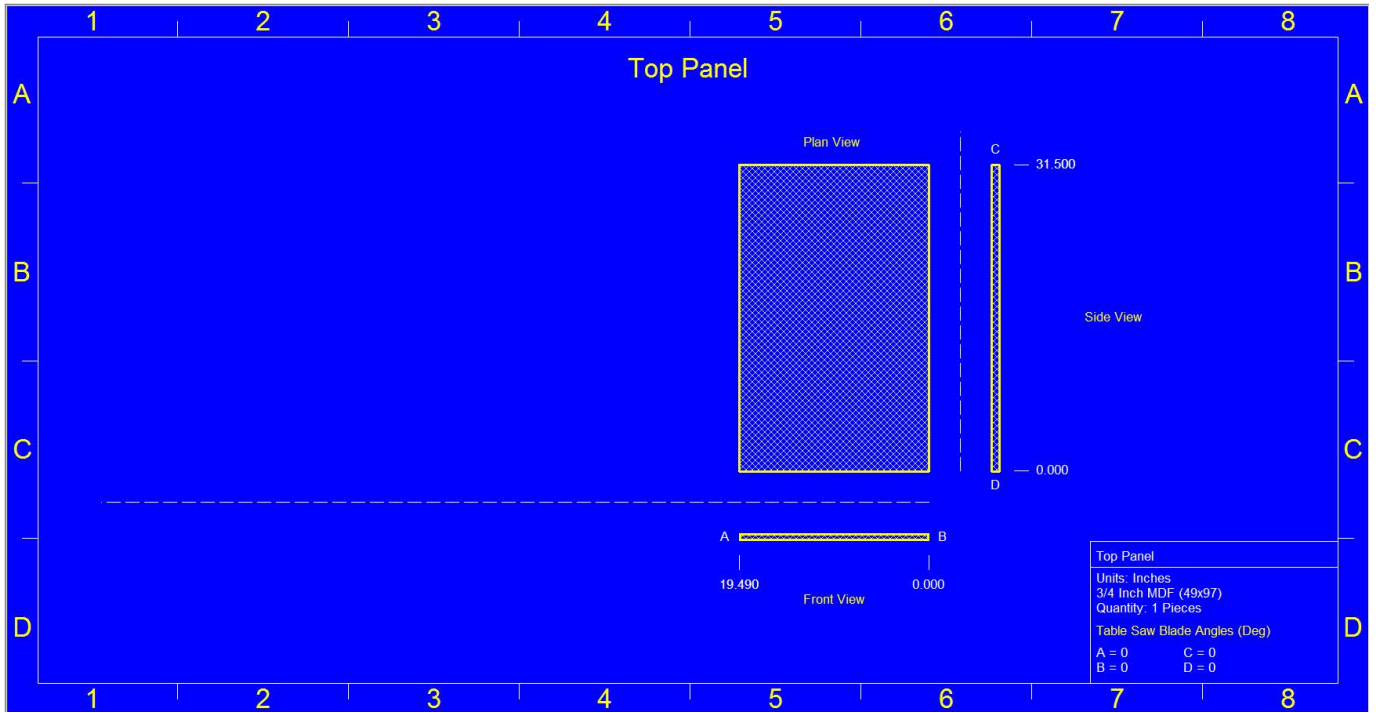
Specs: 1.8 cuft net Sealed to 1.0 cuft net Ported Tuned to 70 Hz
Exterior Dimensions: 12"H x 33"D x 19.490"W
Interior Separation: W1 Sealed Side: 11.785" W2 Ported Side: 7.705"
Port Specs: 10.5"H x 2.5"W x 10.093"L



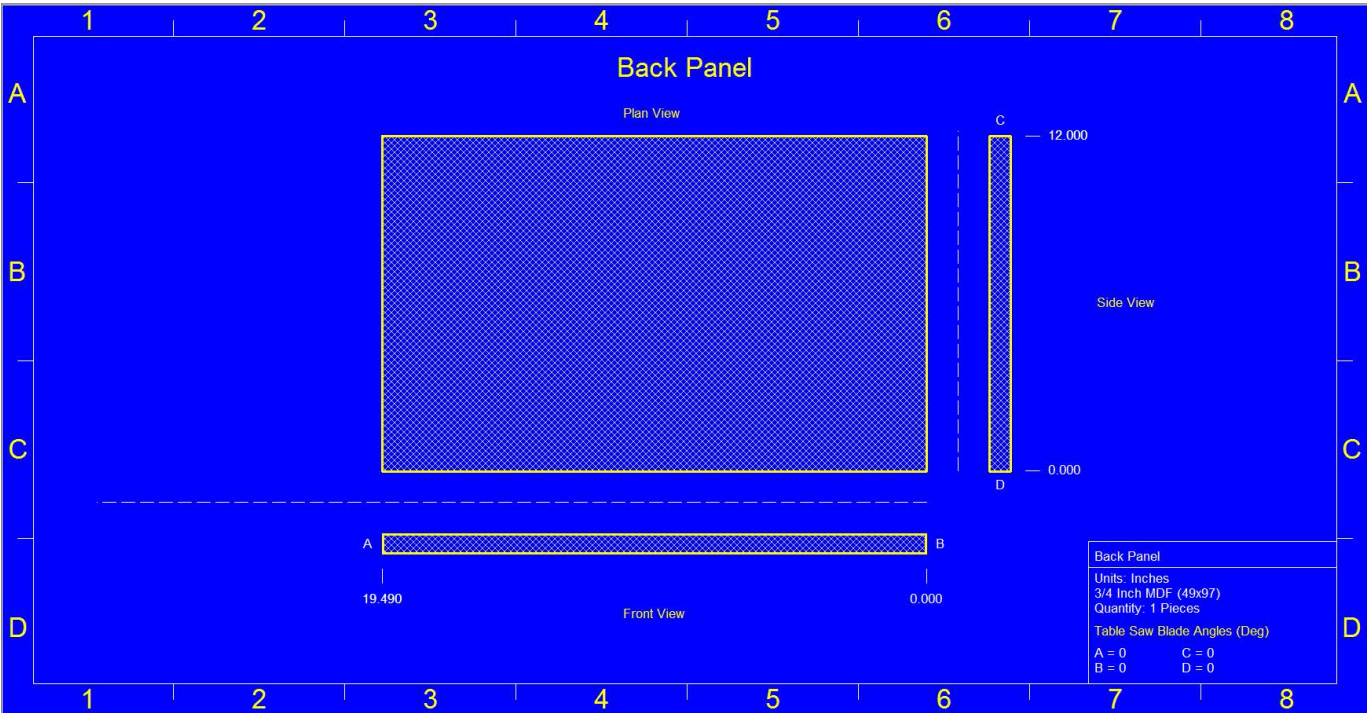
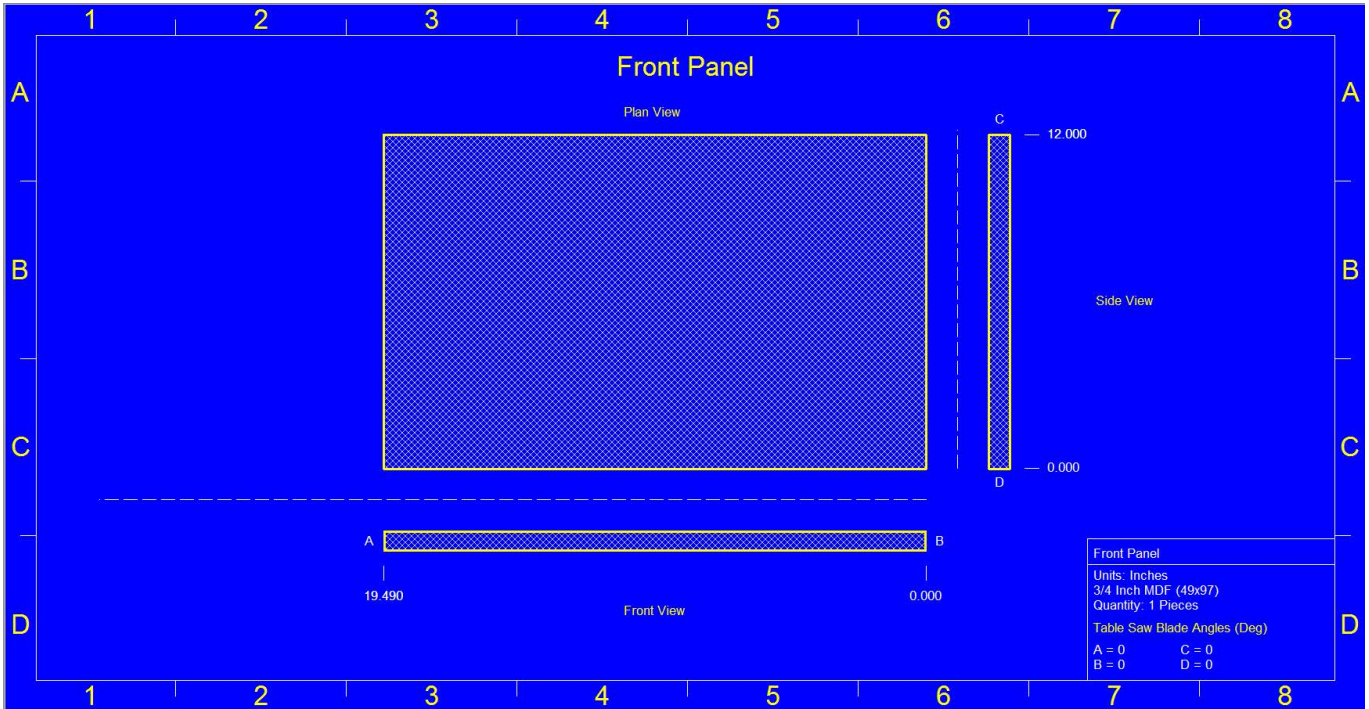
Port



Panel Cut Sheets



Panel Cut Sheets



Panel Cut Sheets

